

DSS238 two phase three wire static watt hour meter (E2301)



The meter is used in two phase three wire power grid. The meter is designed to measure AC active energy, mainly export to south America market. All of its functions comply with the relative technical requirement for class 1 three phase watt hour meter in IEC62053-21. It is a long life meter with the advantage of high stability, high over load capability, low power loss.

Basic Function

- ★Mechanical step register 5+1(default), 6+1, 5+2, 5 digit no decimal, 6 digit no decimal L
- ★Bi-directional total active energy measurement, reverse active energy measure in the total active energy
- ★Three phase power supply, the meter also measure when loss one phase(any one wire in three phase three wire) or when loss two phase(any two in three phase four wire)
- ★Loss phase LED indicates working of phase
- ★Pulse LED indicates working of meter, Pulse output with optical coupling isolation
- ★Two type of cases(protective-class I and II) are available

Optional Function

- ★Reverse LED indicates the reverse current direction or wire reverse connect
- ★Meter cover ultrasonic welding seal

Technical Data

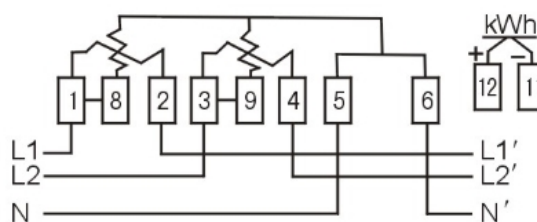
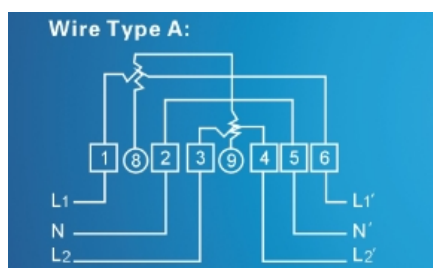
Rate voltage	DSS238 three phase three wire(two phase three wire) 2x120/208V, 2x127/220, 3x220V, 3x380V
Working voltage range	0.8~1.2Un
Rate Current	10(40)A, 5(60)A, 10(100)A, or special required
Frequency	50Hz or 60Hz

Noting : other voltage , current are also available . Other function also can be special design as customer requirement

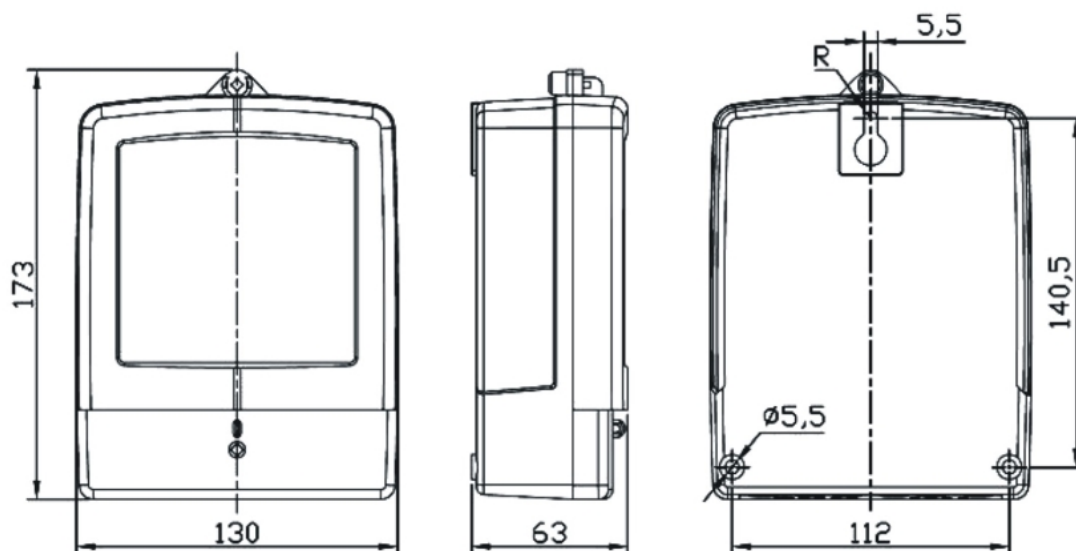
DSS238 two phase three wire static watt hour meter (E2301)

Connection mode	Direct type
Display	mechanical step register
Accuracy class	Active class 1.0
Power consumption	<1W/10VA
Start current	0.004Ib
AC voltage withstand	4000V/25mA for 60 sec
Impulse Voltage	6kV 1.2μs waveform
IP grade	IP51
Constant	200~6400 imp/kWh
Pulse output	Passive pulse, pulse width is 80 ± 5 ms
Executive standard	IEC62053-21, IEC62052-11
Work temperature	-30°C~70°C
Outline dimension LXMxH	173x130x63mm
Weight	Approx 0.9kg

Three phase three wire (also called two phase three wire) Wire connection



Outline dimension



Noting : other voltage , current are also available . Other function also can be special design as customer requirement