

DDS238-P single phase round socket type static watt hour meter(A1202)



The meter is an electronic watt hour meter designed for measuring energy consumption in single phase two wire services. It adopt LSI and SMT technology, the key component are long life international brand product. All of its functions comply with the relative technical requirement for class 1 single phase watt hour meter in IEC62053-21 and ANSI. It is a long life meter with the advantage of high stability, high over load capability, low power loss and compact size.

Basic Function

- ★ Large, easy to read LCD display minimizes reading errors, LCD display 5+1(default) 99999.9 kWh or 5 digit no decimal 99999 kWh
- ★ The meter also measure and LCD display the real power kW
- ★ Bi-directional total active energy measurement, reverse active energy measure in the total active energy
- ★ Pulse LED indicates working of meter, Pulse output with optical coupling isolation
- ★ low starting watts captures energy consumption at levels typically not registered by electromechanical meters
- ★ Compact, cost – effective construction saves space and simplifies installation and handing
- ★ Case protective-class II

Optional Function

- ★ Battery for display when power off

Noting : other voltage , current are also available . Other function also can be special design as customer requirement

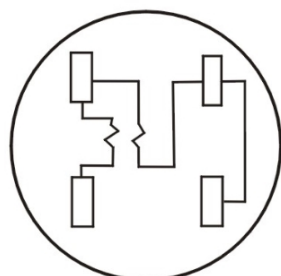
DDS238-P single phase round socket type static watt hour meter(A1202)

★Real current A, real voltage V, the max demand

Technical Data

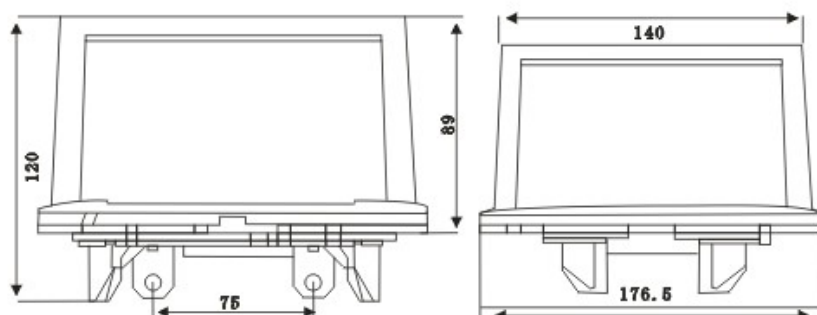
Rate voltage	110V,120V,240V
Working voltage range	0.8~1.2Un
Rate Current FM1S	10(60)A, 15(100)A, 30(200)A , CL100 CL200
Frequency	60Hz
Connection mode	Direct type
Display	LCD
Accuracy class	1.0 or 0.5
Power consumption	<2W/10VA
Start current	0.004Ib
AC voltage withstand	4000V/25mA for 60 sec
Impulse Voltage	6kV 1.2μs waveform
IP grade	IP54
Constant	800~1600 imp/kWh
Pulse output	Passive pulse, pulse width is 80 ± 5 ms
Executive standard	IEC61036, IEC62053-21, ANSI
Work temperature	-30°C~70°C
Weight	Approx 0.7kg
Export country	Philippines and south American

Wire connection



1S 2WIRE

Outline dimension



Noting : other voltage , current are also available . Other function also can be special design as customer requirement