

DDS238 single phase anti-tamper watt hour meter (E1210)



The meter is designed to measure single phase two wire AC active energy. It adopt LSI and SMT technology, the key component are long life international brand product. All of its functions comply with the relative technical requirement for class 1 single phase watt hour meter in IEC62053-21. It is a long life meter with the advantage of high stability, high over load capability, low power loss and compact size.

Basic Function

- ★LCD display 6+2(default), 5+2, 5+1, 5 digit no decimal, 6 digit no decimal
- ★Bi-directional total active energy measurement, reverse active energy measure in the total active energy
- ★Anti-tamper function: also measure when connect to earth, bypass, or add resistor in circuit. If phase line and neutral line load is different >12.5%, the meter will measure as the bigger load circuit. There is three LED indication: tamper, reverse, impulse LED.
- ★Pulse LED indicates working of meter, Pulse output with optical coupling isolation
- ★Insulated protective-class II, Case protective class IP54 by IEC60529

Optional Function

- ★The meter can measure when missing neutral line

Technical Data

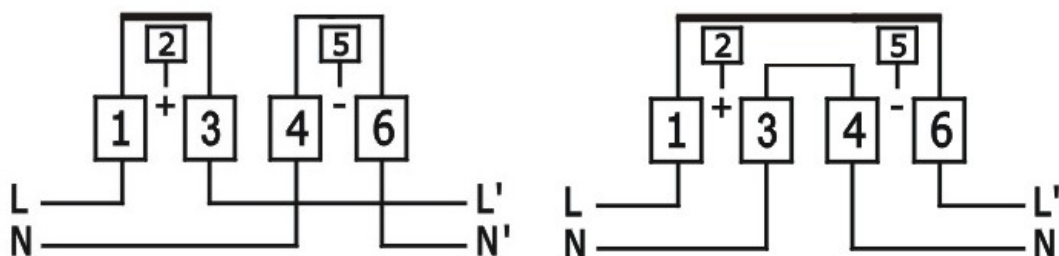
Rate voltage	110V,120V,220V,230,240V
Working voltage range	0.8~1.2Un
Rate Current	5(60)A, 10(100)A, or special required
Frequency	50Hz or 60Hz
Connection mode	Direct type
Display	LCD
Accuracy class	1.0
Power consumption	<1W/10VA
Start current	0.004Ib
AC voltage withstand	4000V/25mA for 60 sec

Noting : other voltage , current are also available . Other function also can be special design as customer requirement

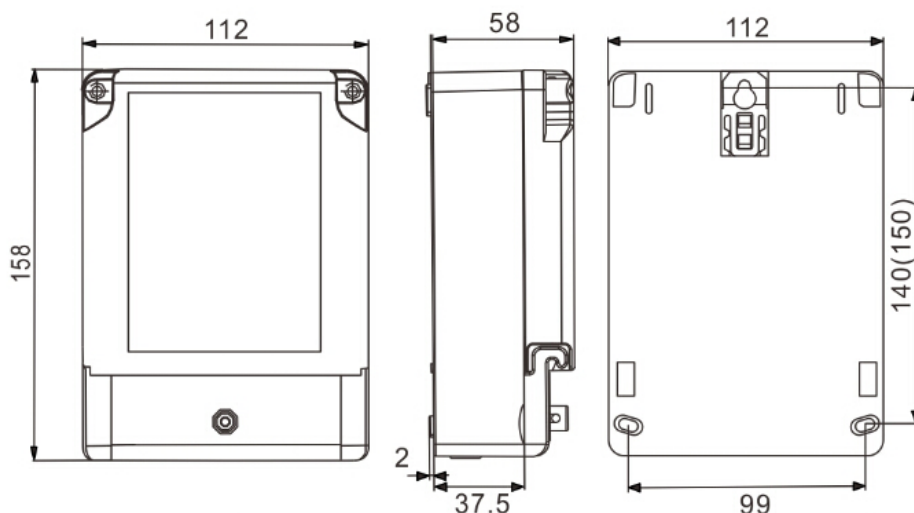
DDS238 single phase anti-tamper watt hour meter (E1210)

Impulse Voltage	6kV 1.2 μ s waveform
IP grade	IP51 or IP54
Constant	800~6400 imp/kWh
Pulse output	Passive pulse, pulse width is 80 \pm 5 ms
Executive standard	IEC61036, IEC62053-21, IEC62052-11
Work temperature	-30 $^{\circ}$ C~70 $^{\circ}$ C
Outline dimension LXMXH	158x112x58mm (short terminal cover L1) 222x112x58mm (long terminal cover L2)
Weight	Approx 0.4kg

Wire connection

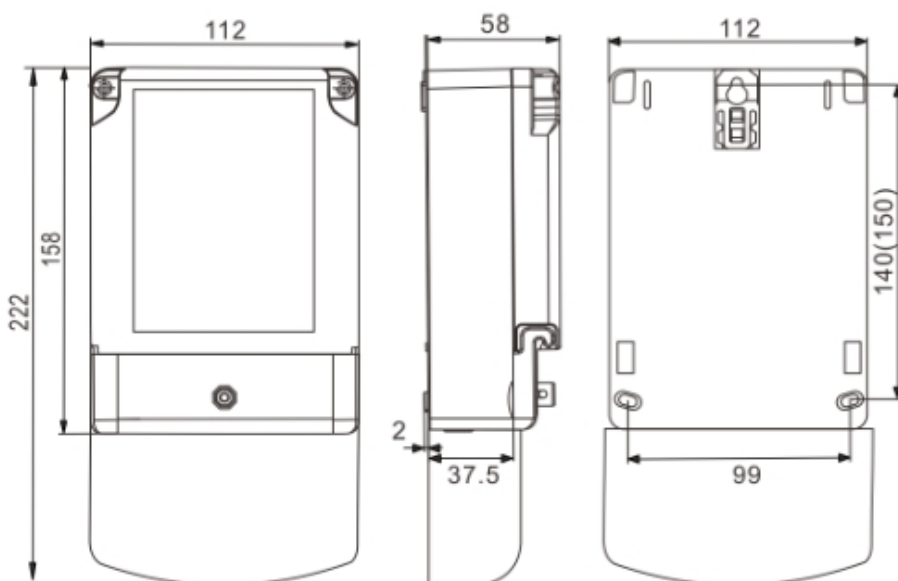


Outline dimension



Noting : other voltage , current are also available . Other function also can be special design as customer requirement

DDS238 single phase anti-tamper watt hour meter (E1210)



Noting : other voltage , current are also available . Other function also can be special design as customer requirement