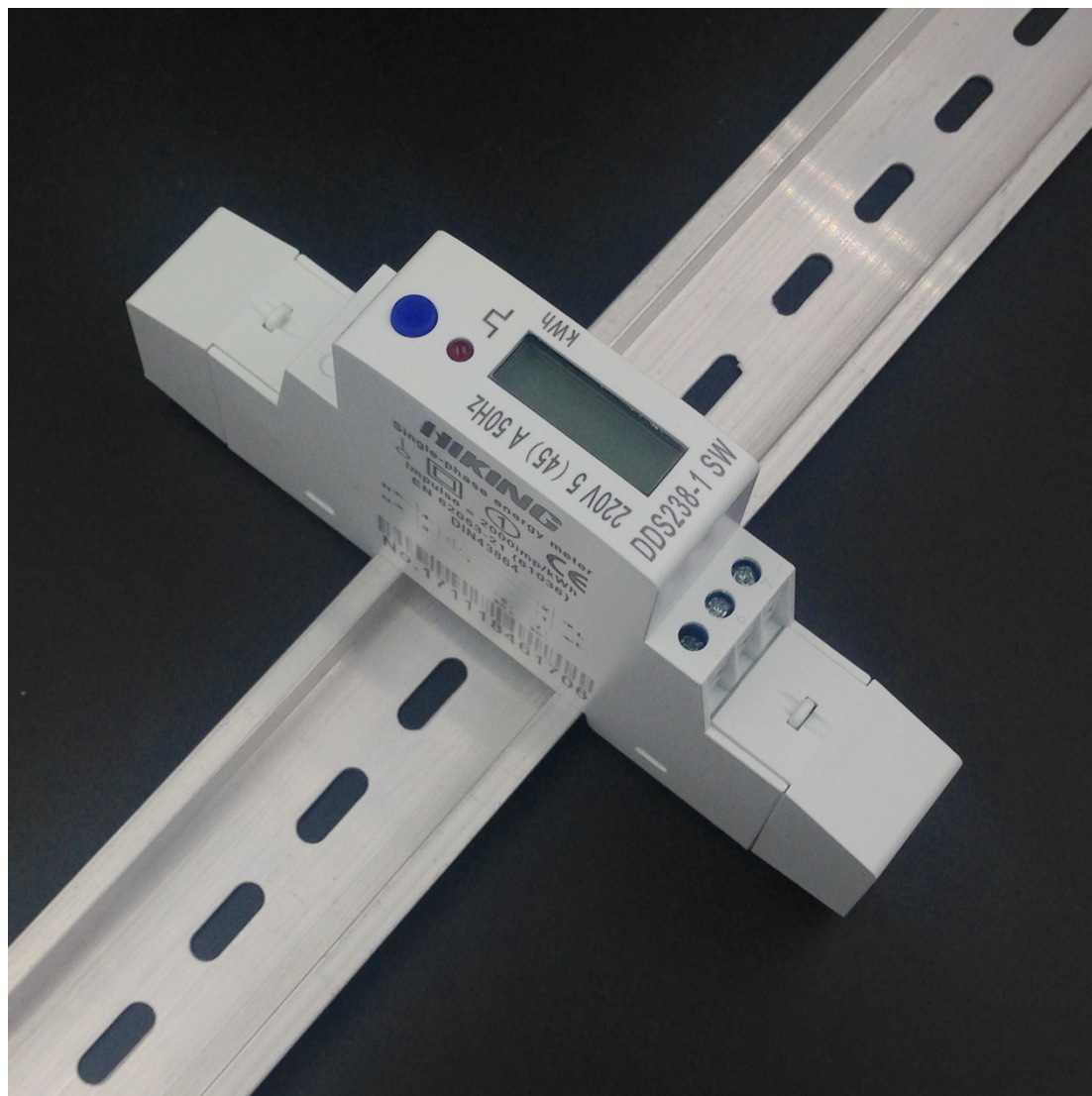


## DDS238-1 SW single phase din rail type watt hour meter (D1103)



The meter is designed to measure single phase two wire AC active energy like residential, utility and industrial application. It is a long life meter with the advantage of high stability, high over load capability, low power loss and small volume.

### Basic Function

- ★LCD display with backlight
- ★ Bi-directional total active energy, reverse active energy measure in the total active energy
- ★ The meter also display real voltage, real current, real power, real power factor, real frequency, import active energy, export active energy
- ★Keypad for LCD display step by step
- ★Reset energy function (the reset energy kWh display is dependent with the total energy display, this reset will not affect the total energy)
- ★Pulse LED indicates working of meter, Pulse output with optical coupling isolation
- ★Energy data can store in memory chip more than 15 years after power off
- ★35mm din rail installation

**Noting : other voltage , current are also available . Other function also can be special design as customer requirement**

## DDS238-1 SW single phase din rail type watt hour meter (D1103)

### Technical Data

Rate voltage	110V,120V,220V,230,240V
Working voltage range	0.8~1.2Un
Rate Current	5(40)A, 5(45)
Frequency	50Hz or 60Hz $\pm$ 10%
Connection mode	Direct type
Display	LCD
Accuracy class	1.0
Power consumption	<1W/10VA
Start current	0.004Ib
AC voltage withstand	4000V/25mA for 60 sec
Impulse Voltage	6kV 1.2 $\mu$ s waveform
Over current withstand	30I <sub>max</sub> for 0.01s
IP grade	IP51
Constant	2000 imp/kWh
Pulse output	Passive pulse, pulse width is 80 $\pm$ 5 ms 5~27VDC, Max current input 27mA DC
Executive standard	DIN 43880, IEC62053-21, IEC62052-11
Outline dimension LXMxH	119x18x62mm (long terminal cover)
Weight	Approx 0.08kg

### Accuracy

Voltage	0.5%
Current	0.5%
Frequency	0.5%
Power Factor	1%
Active power	$\pm$ 1%
Reactive Power	$\pm$ 2%
Active Energy (kWh)	Class 1.0

### Environment

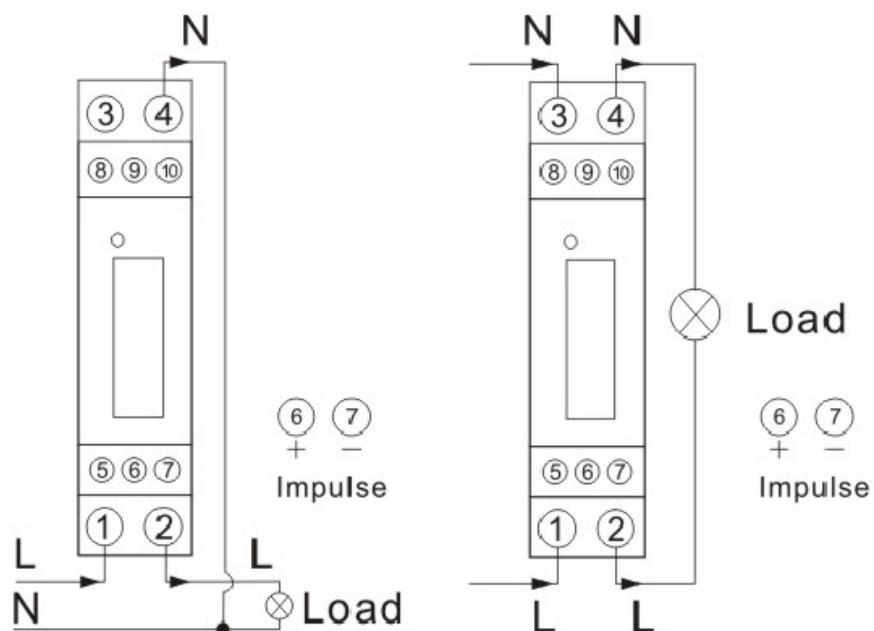
Operating temperature	-25 $^{\circ}$ C ~ 55 $^{\circ}$ C
Storage temperature	-40 $^{\circ}$ C ~ 80 $^{\circ}$ C
Reference temperature	23 $^{\circ}$ C $\pm$ 2 $^{\circ}$ C
Relative humidity	0 to 95%, non-condensing

**Noting** : other voltage , current are also available . Other function also can be special design as customer requirement

## DDS238-1 SW single phase din rail type watt hour meter (D1103)

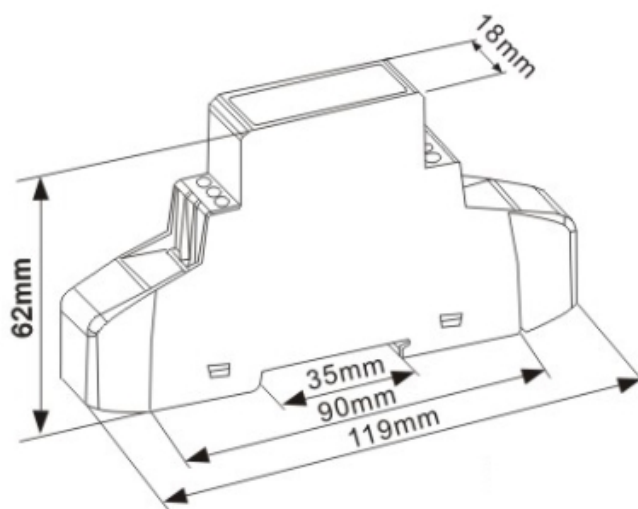
Altitude	Up to 2500m
Warm up time	10s
Mechanical Environment	M1
Electromagnetic Environment	E2
Degree of pollution	2

### Wire connection



Note:the above wire connection all measure

### Outline dimension



**Noting** : other voltage , current are also available . Other function also can be special design as customer requirement